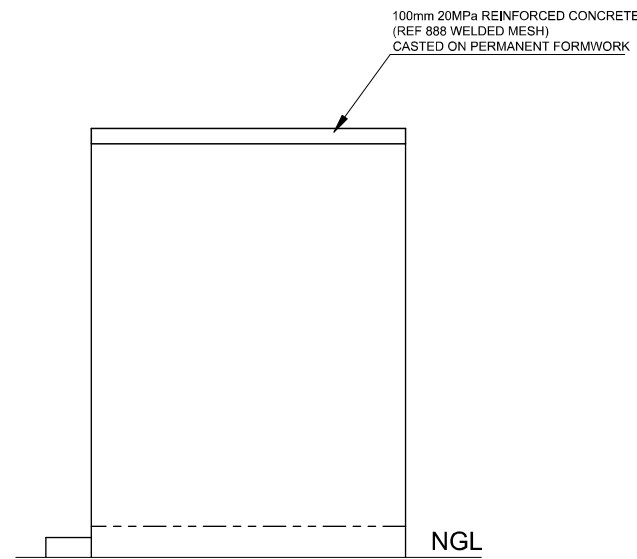
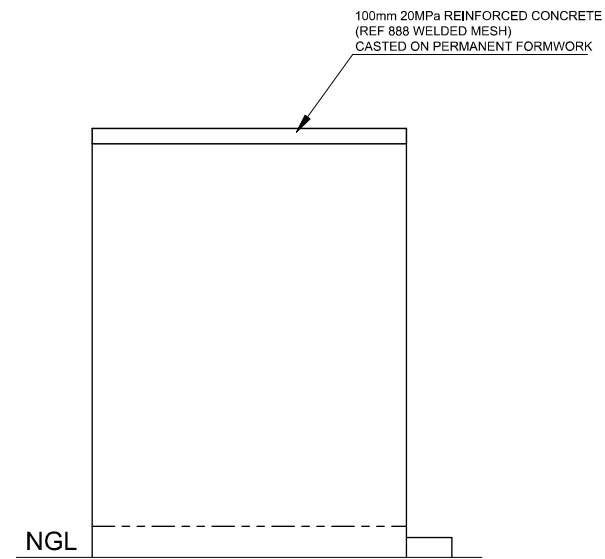


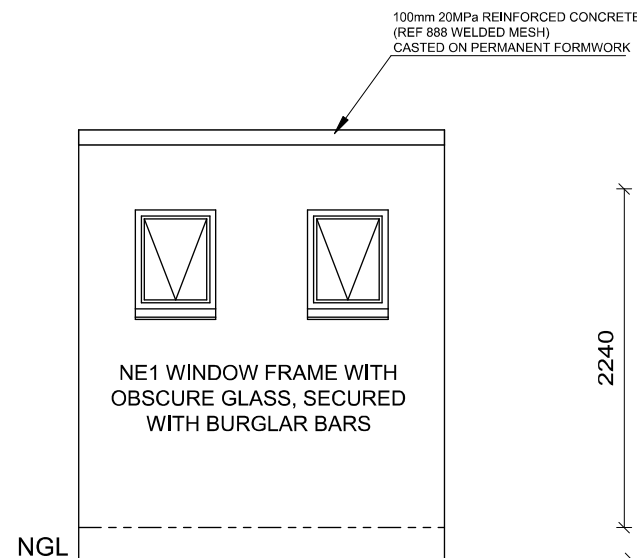
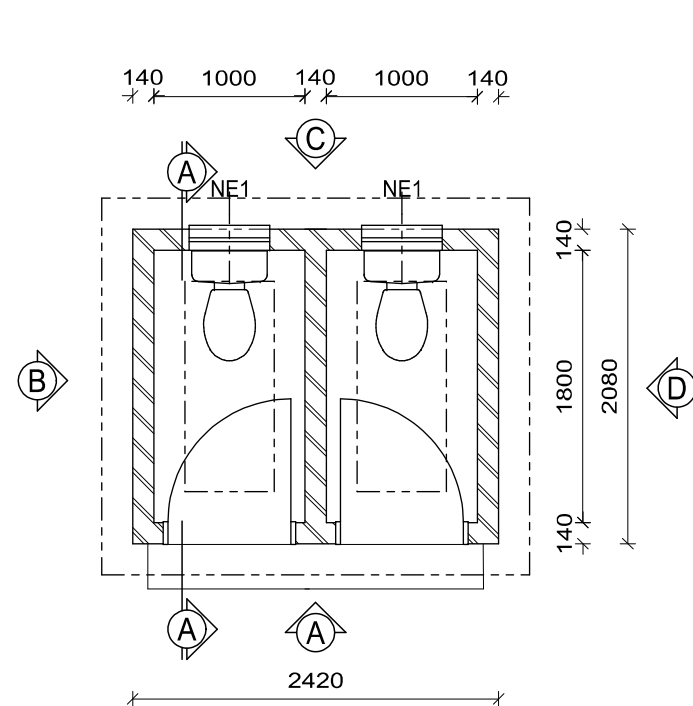
ELEVATION A



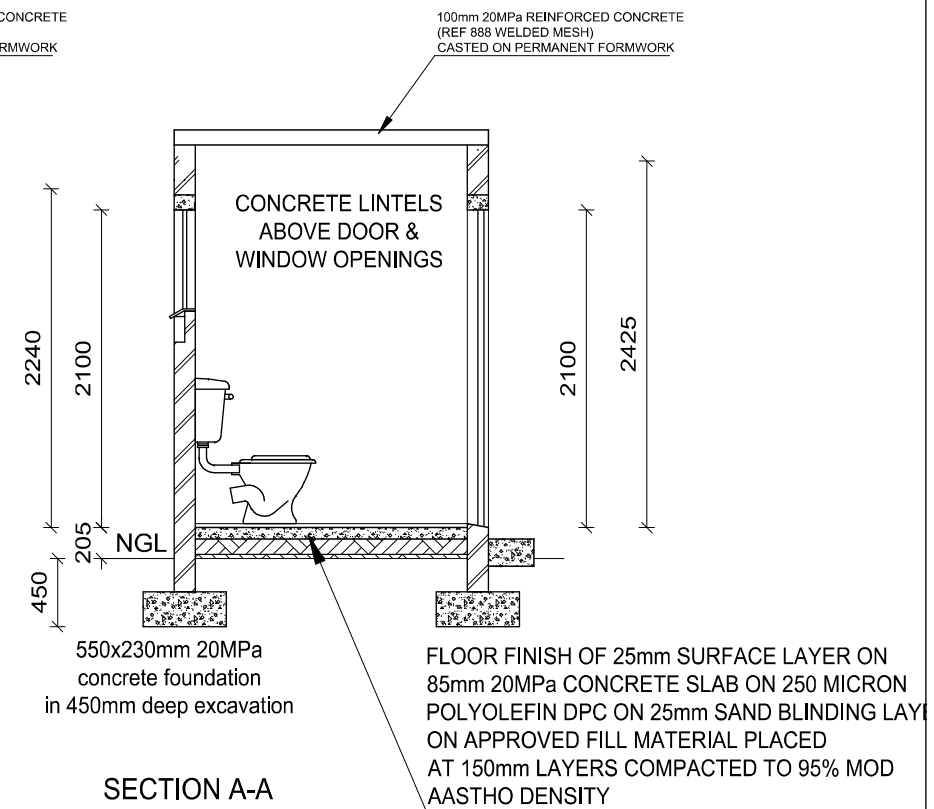
ELEVATION D



ELEVATION B



ELEVATION C



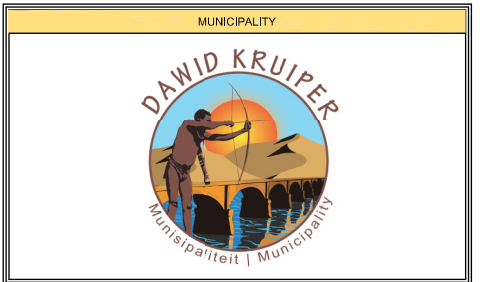
SECTION A-A

NOTES / LEGEND		
• ALLE AFMETINGS MOET OP TERREIN NAGEGAAN WORD VOORDAT MET ENIGE BOUWERK BEGIN WORD.		
• GEEN AFMETINGS MOET VANAF TEKENING AFGESKAAL WORD NIE.		
• ALLE WERK VOLGENS SABS REGULASIES.		

REFERENCE DRAWINGS		
NUMBER	REVISION	DRAWING DESCRIPTION

DATE	INITIAL	No./CODE	REVISION DESCRIPTION
PEN 3	PEN 3	PEN 3	PEN 3

COPYRIGHT NOTICE
 Copyright subsists in this drawing. The person or entity whose name appears in the title block of this drawing is hereby granted a non-exclusive license to use, display, print and / or reproduce this drawing to the extent necessary to carry out and complete the project described in the title block of this drawing.
 This license is limited to the copyright to expressly limited as aforesaid and the person or entity referred to above shall not be entitled to grant sub-licenses in respect of the copyright in this drawing to any other entity. This license confers no ownership rights in the copyright vesting in the drawing and this drawing and the copyright subsisting therein will, at all times, remain the property of Dawid Kruijer Municipality.
 Any unauthorized reproduction, publication, transmission and adaptation and is an act of copyright infringement which will render the doer of the act liable for civil law copyright infringement and may in certain circumstances render the doer liable to criminal prosecution.
 Requests and enquiries concerning this drawing and the rights subsisting therein should be addressed to the copyright owner.



PROJECT/SERVICE
**ABLUTION FACILITIES:
 CEMETERIES**

DRAWING TITLE
**FLOOR PLANS,
 ELEVATIONS & SECTION**

APPROVED BY MUNICIPALITY			
DRAWING NUMBER: DKM2019/001			
SCALE:	1:50	DRAWN:	H.C.WILSON
DESIGNED:	H.C.WILSON	CHECKED:	D.A.MANOOG
REVISION NO.:	0	DATE SAVED:	2 Sep 2019
SIGN:		D2960	2 Sep 2019
PROFESSIONAL ARCHITECTURAL DRAUGHTSMAN		REG. NO.	DATE